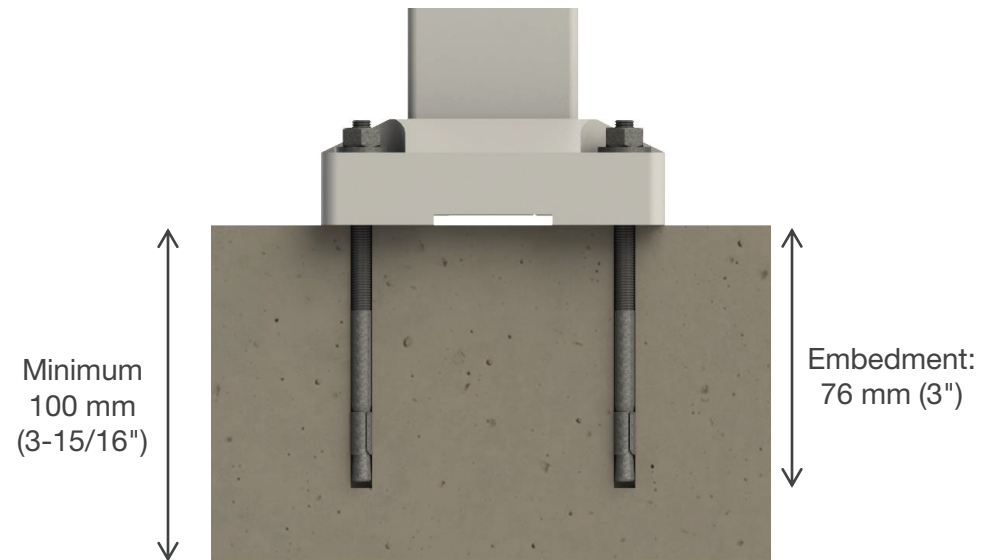
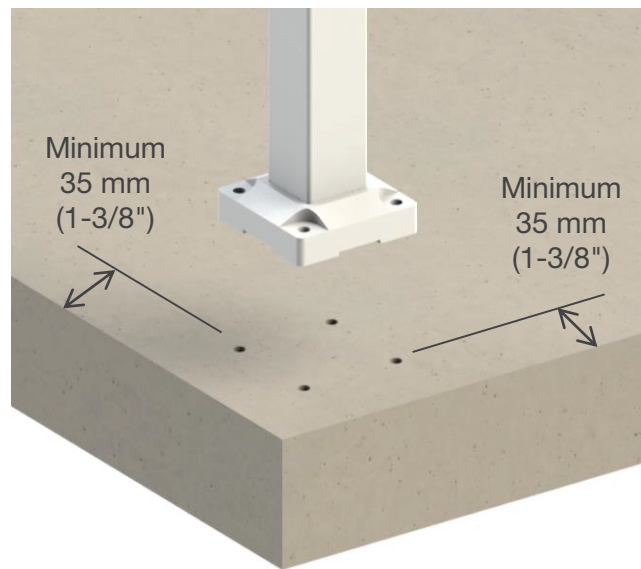


## Residential applications (single family detached houses)

- For each post, attach to deck surface using four ¼" Hilti Kwik Bolt 3 wedge anchors, minimum 3" embedment
- Engineering report available online at [railblazers.ca/compliance](http://railblazers.ca/compliance)



## Commercial applications (including multi-residential housing)

- Site-specific approval is required by a local professional engineer
- For more information including technical support, please call Peak Customer Service at: 1-877-883-PEAK (7325) or email: [cservice@peakproducts.com](mailto:cservice@peakproducts.com)